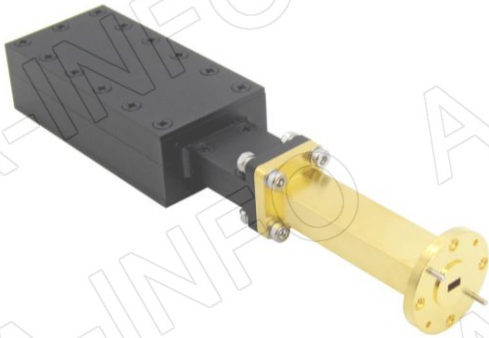
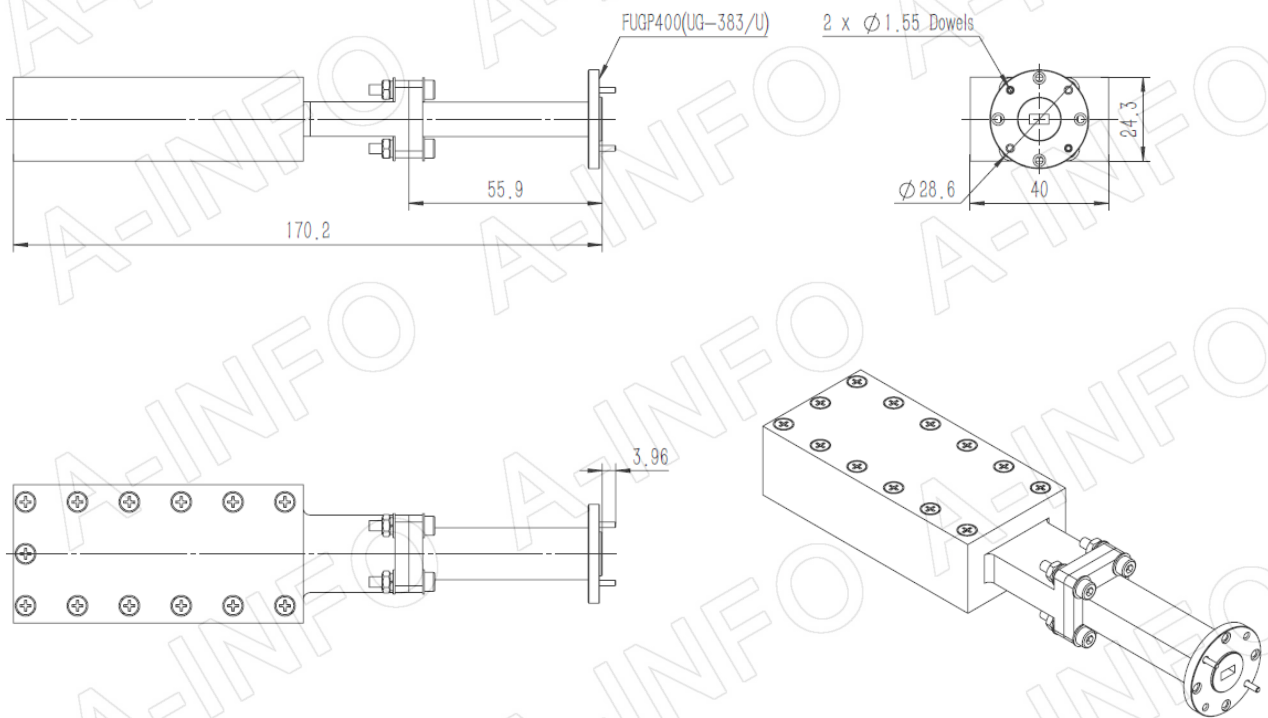


Technical Specification



EIA WR	WR22
Frequency Range(GHz)	33.0-50.0
VSWR	1.2:1 Max.
Average Power(W)	50 CW
Peak Power(KW)	30
Flange	FUGP400(UG-383/U)
Material	Al
Size(mm) LxBxC	170.2 x 40 x 28.6
Net Weight(Kg)	0.35 Around

Outline Drawing (Size: mm)



AINFO Inc.

Page 1 of 3

China(Beijing):
 China(Chengdu):
 USA :

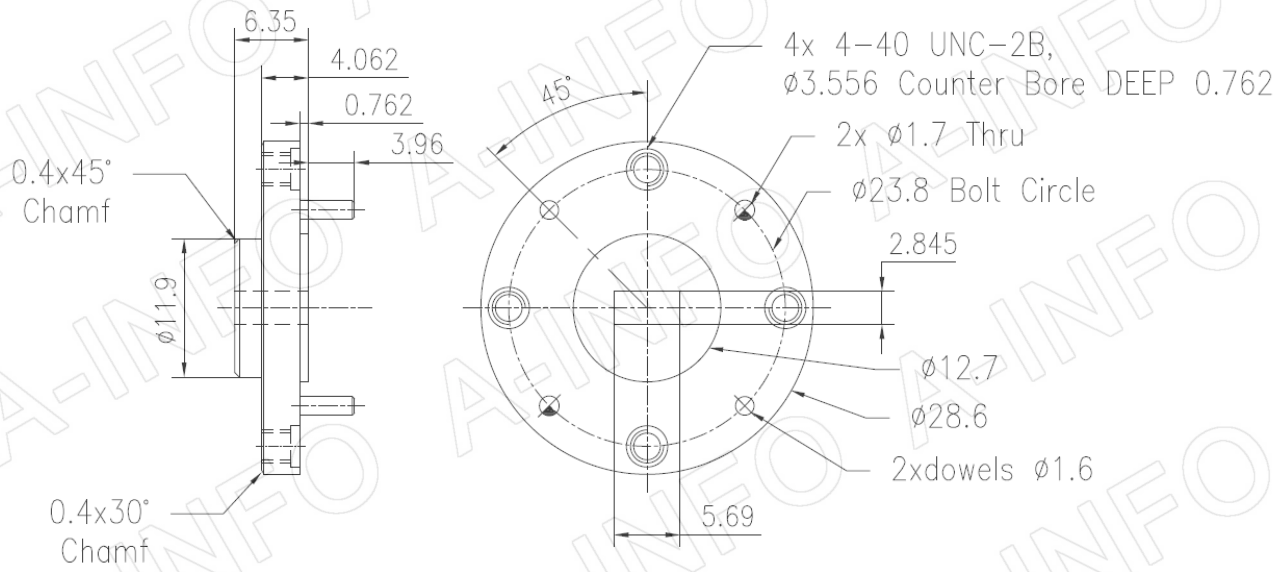
Tel: (+86) 10-6266-7326,
 Tel: (+86) 28-8519-2786,
 Tel: (+1) 949-639-9688,

(+86) 10-6266-7327
 (+86) 28-8519-3044
 (+1) 949-639-9608

Fax: (+86) 10-6266-7379
 Fax: (+86) 28-8519-3068
 Fax: (+1) 949-639-9670

Website: www.ainfoinc.com
 Email: sales@ainfoinc.com

Flange Drawing (Size: mm)



FUGP400
(equivalent to UG-383/U)

Test Results

VSWR

